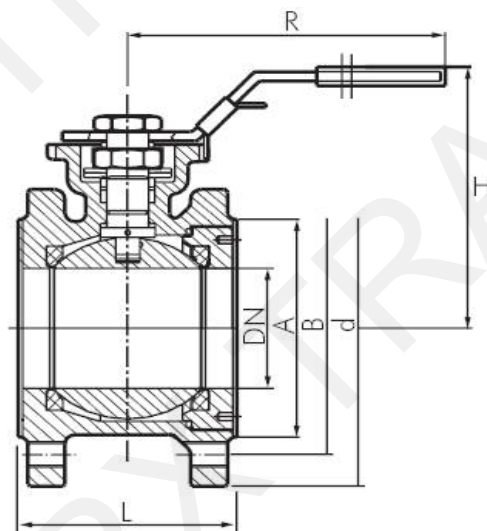


Ball valve wafer type steel compact type



Body	: Steel WCB
Ball	: Stainless-steel 1.4408
Seat	: PTFE
Connection	: Wafer threaded holes
Temperature range	: -20°C to max. +180°C
Operating range	: Water, oil, compressed air, vacuum (max. -0,9 bar), fuels



Typ	DN	L +2	A	B	d	H	R	IG	PN	ISO 5211
MXT-7343210015	15	39	45	65	95	98	120	M 12	16/40	F 03/F 04-VK9
MXT-7343210020	20	44	56	75	105	98	120	M 12	16/40	F 03/F 04-VK9
MXT-7343210025	25	49	65	85	115	110	140	M 12	16/40	F 04/F 05-VK11
MXT-7343210032	32	56	75	100	135	120	170	M 16	16/40	F 04/F 05-VK11
MXT-7343210040	40	65	85	110	145	140	200	M 16	16/40	F 05/F 07-VK14
MXT-7343210050	50	73	100	125	160	147	240	M 16	16/40	F 05/F 07-VK14
MXT-7343210065	65	96	120	145	180	172	280	M 16	16	F 07/F 10-VK17
MXT-7343210080	80	116	135	160	195	188	320	M 16	16	F 07/F 10-VK17
MXT-7343210100	100	140	155	180	215	202	400	M 16	16	F 10
MXT-7343210125	125	198	190	210	250	178	381	M 16	16	F 10