

Hand vane semi-rotary pump for pumping water, oil and fuels

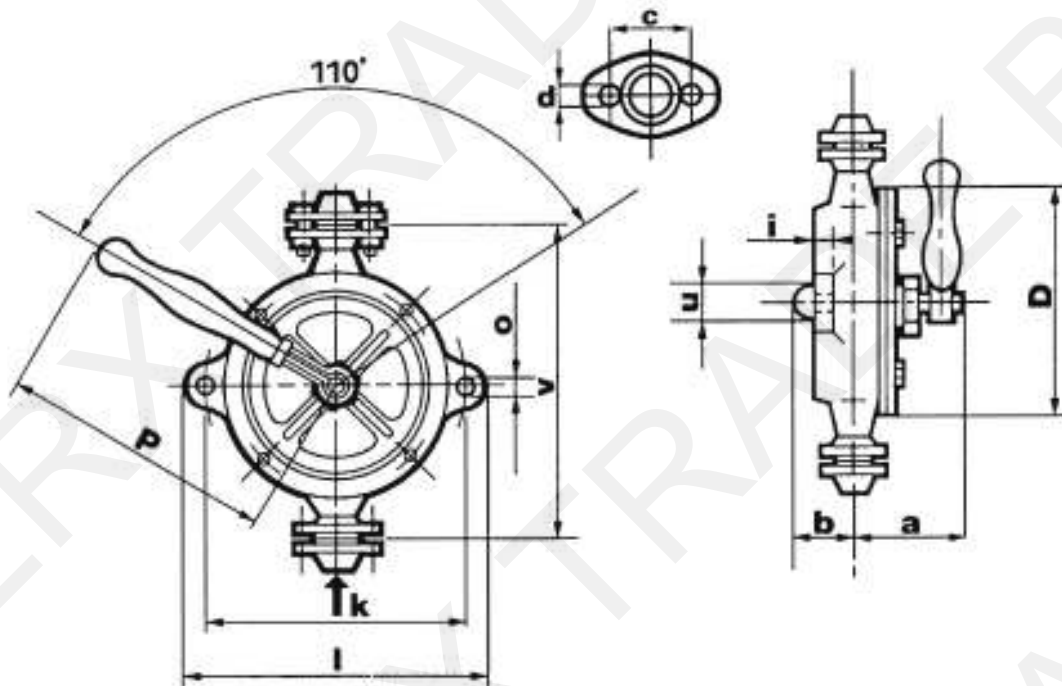
Hand wing pumps DIN 5437 A - Double acting, with lever

Body cast iron - inner parts in brass

Female screwed thread acc. to ISO 228/1 for operating temperatures up to 80° C

material specification:

body:	EN-GJL-200	EN-JL1030
inner parts:	CuZn39Pb2	CW612N
shaft:	S235JR	1.0037
packing:	cotton/PTFE	-



MXT-13950000

NW/DN	G	l/min	D	a	b	l	k	P	V	O	c	d	KG
K00	3/8"	7,5	100	90	45	120	98	220	110	7	-	-	3,0
K0	1/2"	11,5	135	140	55	160	130	300	175	13	55	9,5	5,0
K1	3/4"	17,3	150	140	55	180	150	300	205	13	65	9,5	6,0
K2	1"	22,5	170	145	60	200	170	360	230	13	75	9,5	8,0
K3	1 1/4"	29	200	170	62	240	200	450	275	13	90	14	11
K4	1 1/4"	43	220	190	74	255	220	500	295	13	90	14	12
K5	1 1/2"	54	245	200	76	275	240	600	320	13	100	14	17
K6	2"	90	288	273	72	360	310	620	360	15	100	15	30