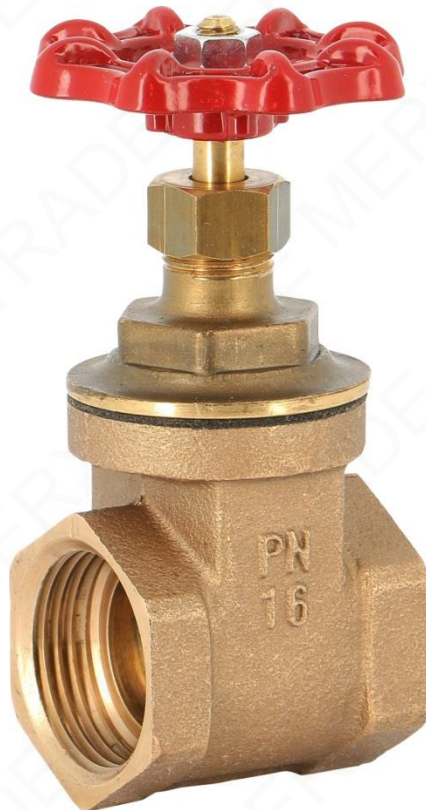


BRONZE GATE VALVE FEMALE BSP PN16

Bronze gate valve female threaded BSP full bore to close water distribution and watering installation.
Rotating non rising stem with inside screw.
EPDM packing on stem and fiber bonnet gasket.



Size : DN 1/4" to 4"

Ends: Female BSP

Min Temperature : -10°C

Max Temperature : +80°C

Max Pressure : 16 Bars

Specifications : Rotating non rising stem

Inside screw stem

Full bore

Materials : Bronze

BRONZE GATE VALVE FEMALE BSP PN16

SPECIFICATIONS :

- Full bore
- Rotating non rising stem
- Inside screw stem
- Brass
- Single wedge disc
- Female / Female BSP cylindrical ends
- EPDM packing
- **No tightness , loss factor : 0.5% of Kvs**

USE :

- Water distribution and watering
- Min and max Temperature Ts : - 10°C to + 80°C
- Max Pressure Ps : 16 bars
- Do not use for firefighting networks

FLOW COEFFICIENT Kvs (M3 / h) :

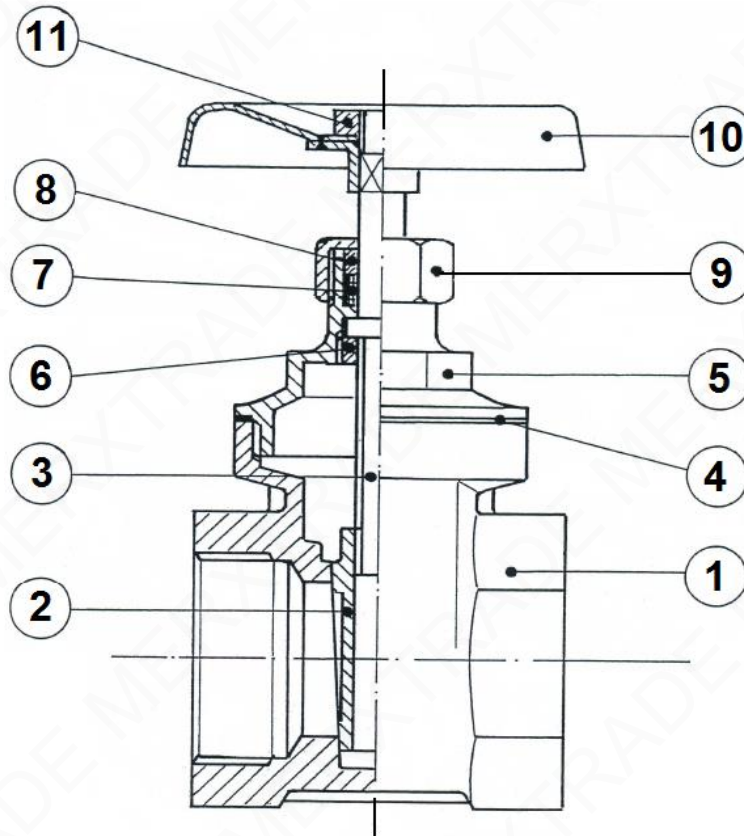
DN	1/4"	3/8"	1/2"	3/4"	1"	1"1/4	1"1/2	2"	2"1/2	3"	4"
Kvs (m3/h)	9.2	9.2	11	29	43	81	125	220	380	490	710

RANGE :

- Bronze female/female threaded BSP cylindrical ends **Ref. 146** DN 1/4" to DN 4"

BRONZE GATE VALVE FEMALE BSP PN16

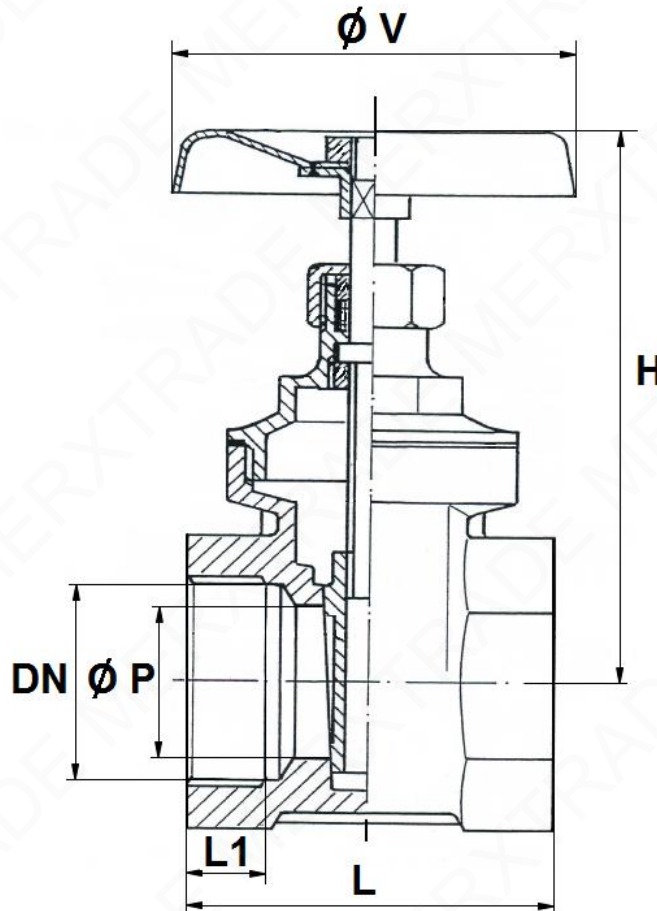
MATERIALS :



Item	Designation	Materials
1	Body	Bronze SN5 UNI-EN1982 DIN 50930/6
2	Wedge	Brass DELTAC EN1982 CB 754-S GM
3	Stem	Brass CW 614 N according to EN 12164
4	Bonnet gasket	Fibers
5	Bonnet	Brass CW 617 N according to EN 12165
6	Ring	Brass CW 614 N according to EN 12164
7	Packing	EPDM
8	Packing gland	Brass CW 614 N according to EN 12164
9	Gland nut	Brass CW 614 N according to EN 12164
10	Handwheel	Aluminium
11	Handwheel nut	Zinc-coated steel

BRONZE GATE VALVE FEMALE BSP PN16

SIZE (in mm) :



DN	1/4"	3/8"	1/2"	3/4"	1"	1"1/4	1"1/2	2"	2"1/2	3"	4"
Ø P	11	15	15	19	24	32	37	47	58	71	91
L	36	38	38	45	47	51	55	62	75	80	93
L1	8	9	9	10	11	11	13	13	16	16	20
H	66	69	69	78	91	108	125	145	175	200	235
Ø V	45	50	50	50	55	60	70	80	100	100	120
Weight (Kg)	0.16	0.16	0.2	0.28	0.37	0.58	0.81	1.22	2.1	2.66	4.72

BRONZE GATE VALVE FEMALE BSP PN16

STANDARDS :

- DIRECTIVE 2014/68/EU : Products excluded from directive (Article 1, § 2b)
- Threaded female / female BSP cylindrical ends according to ISO 228/1

ADVICE : Our opinion and our advice are not guaranteed and merxtrade shall not be liable for the consequences of damages.
The customer must check the right choice of the products with the real service conditions.